

Miele

“Well regarded for longevity and efficiency, combined with good experiences using the machines elsewhere, Miele Professional was our product of choice.”

Casey Best, Macquarie Bank

Easily handle small mountains of crockery in the office kitchen with ProfiLine dishwashers.

Miele Professional. Immer Besser.



Professional



Short cycle times



Optimal hygiene



Sustainable



Long life-cycle



Wifi connectivity



Convenient features

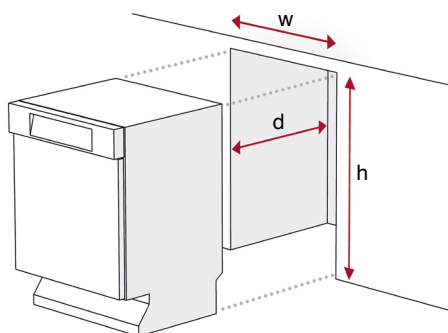
- Cycle times from 22 minutes*
- Built to use up to 5 cycles per day
- 8 programme options
- Final rinse temperature up to 82°C
- Large capacity double rack system with MaxiComfort baskets
- AutoOpen function that ensures contents dry completely.
- Optional dispensing of liquid detergents
- Freestanding, built-under or integrated models available

* PG8132 & PG8133 with electrical connection 5.3kW





Model	PG8130	PG8130i	PG8132	PG8133
Colour	White	Stainless steel fascia Door panel not included	Stainless steel fascia Door panel not included	Stainless steel fascia Door panel not included
Integration	Freestanding or under bench	Integrated	Integrated	Fully integrated
Shortest cycle time	29 minutes	29 minutes	22 minutes	22 minutes
Max. rinse temperature	82°C	82°C	82°C	82°C
Number of levels	2	2	2	2
Cutlery basket	•	•		
3D cutlery tray			•	•
AutoOpen	•	•	•	•
FlexiTimer with EcoStart	•	•	•	•
Optional DOS Pump*	•	•	•	•
WifiConn@ct	•	•	•	•
Water connection	CW or HW, max 60°C	CW or HW, max 60°C	CW or HW, max 60°C	CW or HW, max 60°C
Electrical connection	230V 50Hz 3.1kW with 15A plug	230V 50Hz 3.1kW with 15A plug	230V 50Hz 5.3kW with 25A plug	230V 50Hz 5.3kW with 25A plug
Possible voltage variant <small>Additional charges apply and cycle times will be extended</small>	230V 50Hz 2.3kW with 10A plug	230V 50Hz 2.3kW with 10A plug	230V 50Hz 2.3kW with 10A plug	230V 50Hz 2.3kW with 10A plug
External dimensions mm	805h / 598w / 600d 845h with lid	805h / 598w / 570d	845h / 598w / 570d	845h / 598w / 570d
Minimum space required mm	Under bench without lid: 807h / 600w / 630d	807h / 600w / 600d	847h / 600w / 600d	847h / 600w / 600d



* Installing a DOS Pump makes operating easier whilst ensuring perfect cleaning results and guaranteeing economical use of liquid detergent