

Electrical connection

Before connecting the appliance, make sure that the connection data on the data plate (voltage and frequency) matches the mains electricity supply. This data must correspond in order to avoid the risk of damage to the appliance. If in any doubt, consult a qualified electrician.

The necessary connection information is given on the data plate inside your appliance.

The fuse rating must be at least 10 A.

The socket must be easily accessible. If the socket is no longer accessible after installation, an additional means of disconnection must be provided for all poles. Suitable means of disconnection include switches with an all-pole contact gap of at least 3 mm. These include isolator switches, circuit breakers and relays.

Do not connect the machine solely to a **stand-alone inverter**. Inverters are used for autonomous power supply, e.g. a solar power system. When switched on, peak loads in the system can cause the safety switch-off mechanism to be triggered. This may damage the electronic unit.

The machine must not be used with so-called **energy saving plugs**. These reduce the amount of energy supplied to the machine, causing it to overheat.

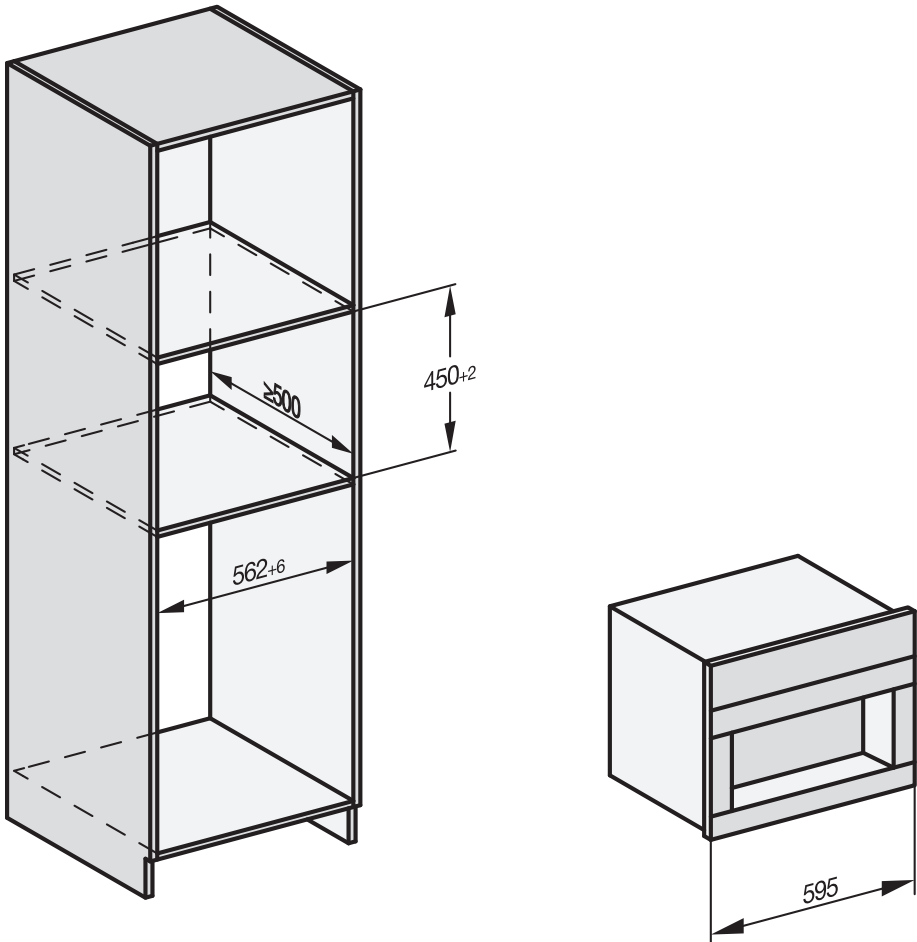
Installation

Installation dimensions

Installation in a tall unit

A minimum installation height of 850 mm must be maintained.

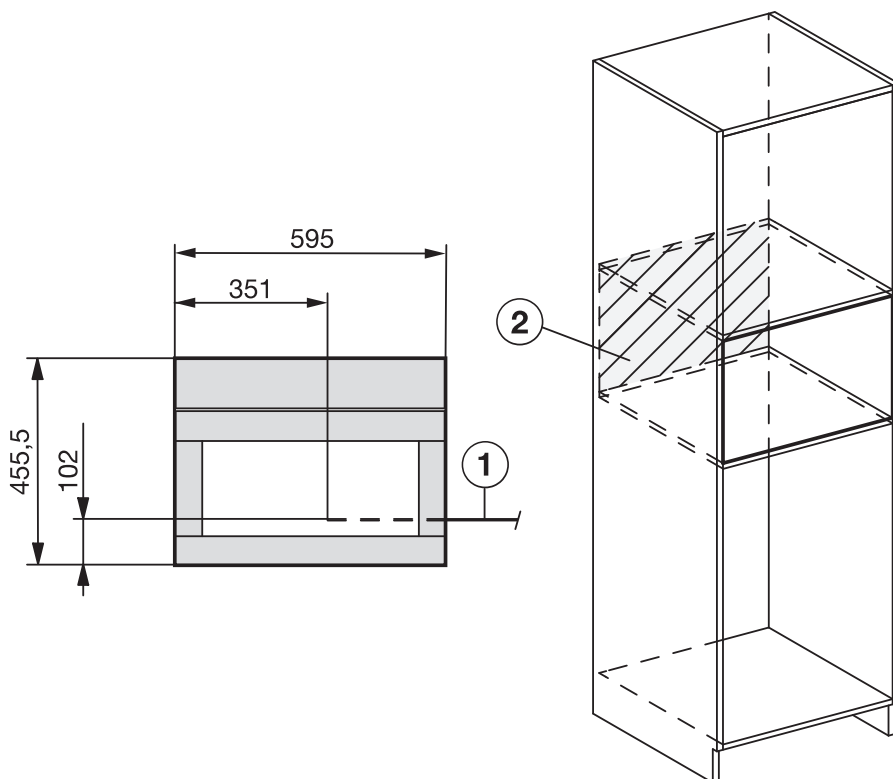
All dimensions are given in mm.



Combination with other Miele built-in appliances is possible. If the coffee machine is to be built in above another appliance, there must be a full-width, closed shelf between them. When built in above a warming drawer, a closed shelf is not needed.

Installation and connections

All dimensions are given in mm.



① Mains connection cable

② Do not place electrical connection in this area

Installation

Building in the coffee machine

⚠ Danger of injury due to incorrect installation.

Personal injury can result from an incorrectly installed, and therefore unsecured, appliance.

The coffee machine can only be operated once it has been built in.

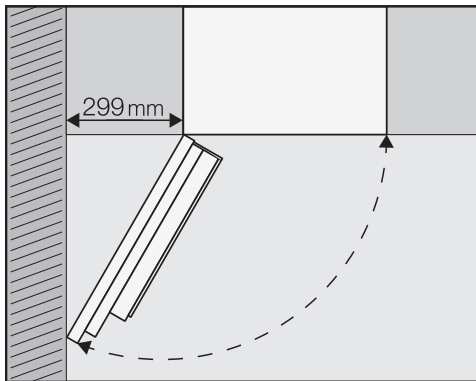
⚠ Risk of damage to property due to incorrect operation.

If the ambient temperature range is not complied with, the coffee machine may not function correctly.

The coffee machine may only be operated in an ambient temperature range between +16 °C and +38 °C.

A minimum installation height of 850 mm must be maintained.

Ensure that a door opening angle of 120° is present so that the bean container on the left can be removed.



Check whether there is a gap of at least 299 mm between the wall or similar and the coffee machine so that the door can

be opened wide enough to remove the bean container on the left (minimum door opening angle of 120°).

A TX 20 screwdriver is required for installation.

Useful tip: We recommend providing a place to sit the coffee machine which is the same height as the building-in niche. This will make it easier to connect the machine to the electricity supply.

Connecting to the mains electricity supply

Observe the instructions in “Electrical connection”.

- Connect the coffee machine to the mains electricity supply.

Pushing in and levelling the coffee machine

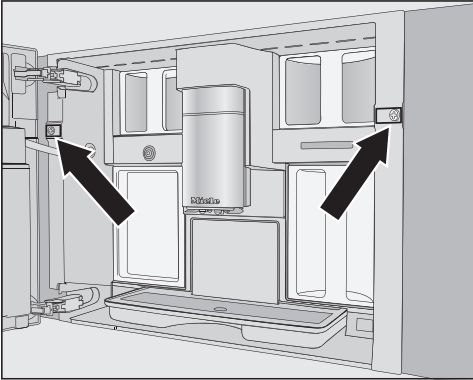
Ensure the mains connection cable does not get jammed or damaged when pushing the appliance into the niche.

- Push the coffee machine all the way into the building-in niche.
- Check the height of the coffee machine to make sure that it is sitting centrally in the niche and that it is level. Align the appliance if necessary.

Do not adjust the door hinges to align the coffee machine. This could result in the milk flask not being able to be fitted correctly and milk preparation may not function properly.

Now screw the coffee machine into the furniture unit.

- Open the appliance door.



2 TX20 screws (25 mm) are supplied.

- Secure the coffee machine to the side walls of the housing unit using the screws supplied. Tighten the screws by hand.

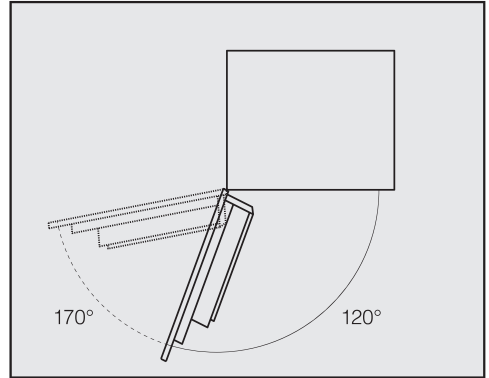
Useful tip: You can remove the door opening limiters and increase the door opening angle to 170° so that the screw on the left can be screwed in more easily. (see "Door opening limiters"). Check whether there is enough room and that the appliance door does not hit an adjacent wall.

- Check the operation of the coffee machine.

Door opening limiters

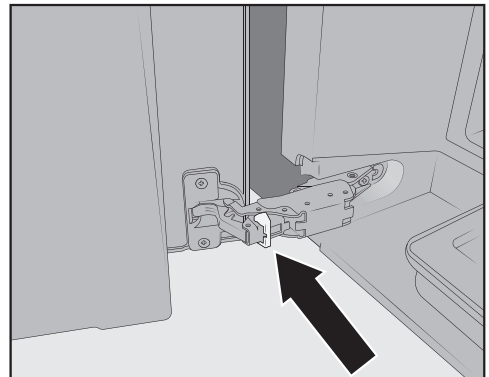
The door hinges of the coffee machine are equipped with door opening limiters that limit the opening angle of the appliance door to approx. 120°. These prevent the appliance door from hitting an adjacent wall when opened and being damaged.

You can remove the door opening limiters to increase the opening angle to approx. 170°. This allows the bean containers to be removed more easily, for example.



Removing the door opening limiters

Check whether there is enough room and that the appliance door does not hit an adjacent wall when the door opening angle is increased.



- Remove the door opening limiters from the hinges by levering them out with a screwdriver, for example.

The door opening angle is now increased to approx. 170°.